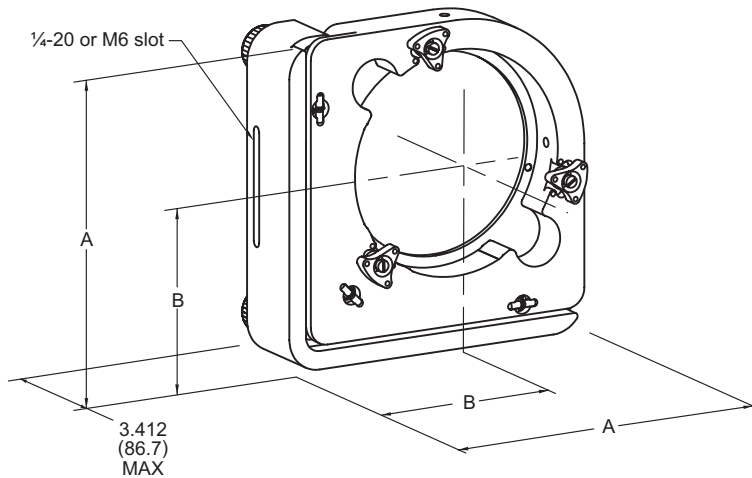


*unique fully kinematic clamps pivot into place to secure optic*

**Model 7020-60**

The **Series 7020 Mirror Mounts** are ultra-stable precision machined photonics tools. The wide flanged base offers rigidity that eclipses other large kinematic mounts of its kind. In fact, independent tests show that they are 4 times more stable than similar kinematic mounts from another company. The optic is secured by three minimally constrained kinematic face clamps, which minimize wavefront distortion. A nylon-tipped set screw is provided as an auxiliary method to retain the optic. Three 80-pitch adjustment screws provide extremely fine tip, tilt, and translation. The units can be mounted to a breadboard via a large slot in the base for ¼-20 or M6 screws and can be used in either the left or right hand orientation.



## Series 7020 Mirror Mounts

Model	7020-50	7020-60
Optic Size	Ø 5.00"	Ø 6.00"
A-Overall Height	7.67	8.85
B-Optic Height	4.25	5.00