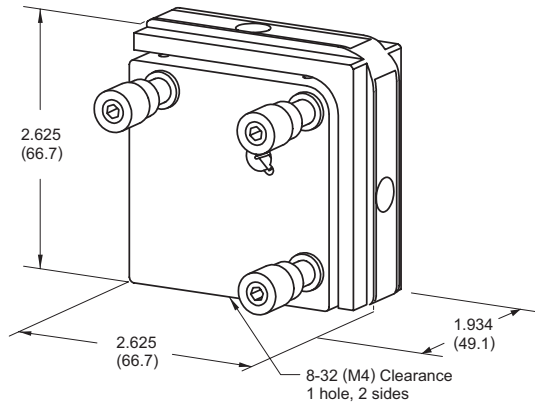


Model 8800 Mainframe



Super Mounts

- **Ultra Versatile**
- **Ultra Stable**
- **Best Value**

The **Series 8800 Super Mount** is a complete break from previous concepts. Never before have you been able to create complex setups in such a compact, stable, and cost effective manner.

The heart of **Series 8800** is the **Model 8800 Mainframe**. This consists of a heavy, fixed plate with three 80-pitch adjustment screws, and a tiltable contoured frame carrying a pair of precision machined dovetails. Individual optic carriers clamp to these dovetails. **The beam height is no longer built into the mount. It is now adjustable. And the same mainframe may hold many different types of carriers.**

The next set of advantages comes from the carriers themselves. The **A-Series Carriers** have an additional setting axis **parallel** to the dovetail. This axis is completely clear of the front plane of the mount, and is rotatable over 360°. With the **A-Series Carriers**, you can (1) **Set a bias angle of incidence on an optic without tilting the whole mount**, and (2) **Have access to the entire clear aperture without worrying about the mount body.** **A-Series Carriers** are mainly used to replace conventional mounts in horizontal plane setups.

The **B-Series Carriers** are even more innovative. These carriers have their

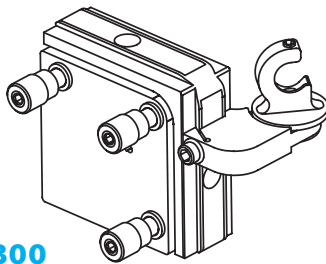
presetting axis **perpendicular** to the dovetail. **For the first time, vertical plane setups become routine.** The freedom to choose the vertical plane gives you the ability to make true stable three-dimensional setups.

The open design of the carriers gives **100% clear aperture in virtually any orientation**, and permits beams to pass very close to the edges of optics with a very stable mount. And when requirements change, just change the carrier, not the whole mount.

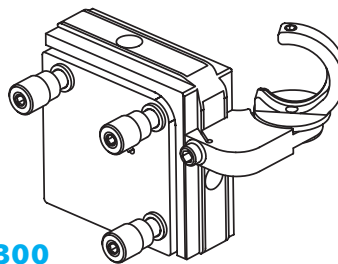
A-Series Parallel Carriers



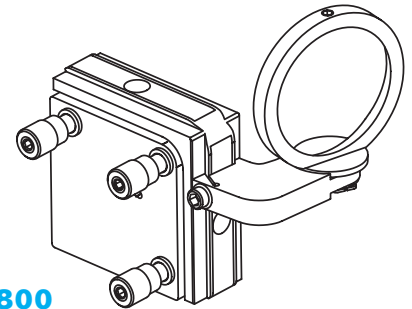
Presetting Axis Parallel to Mounting Dovetail
 (Model 8800 Mainframe sold separately)



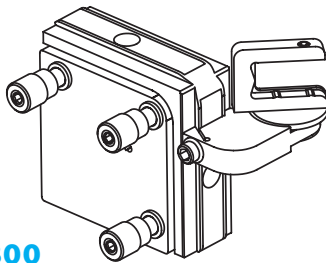
8800
8800-A05



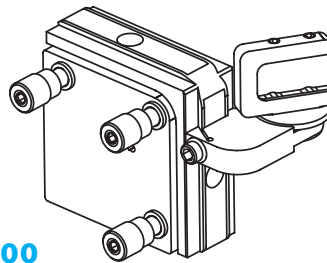
8800
8800-A10



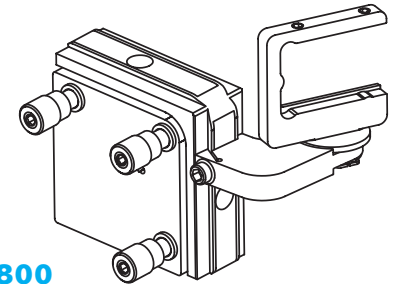
8800
8800-A20



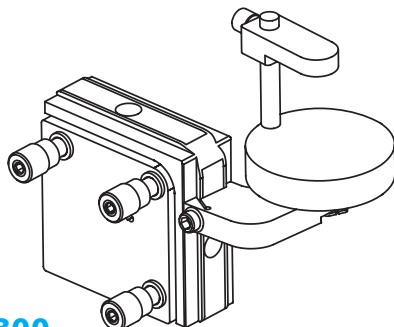
8800
8800-A05S



8800
8800-A56S



8800
8800-A10S



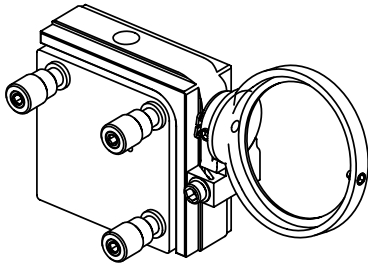
8800
8800-APT

A-Series Parallel Carriers

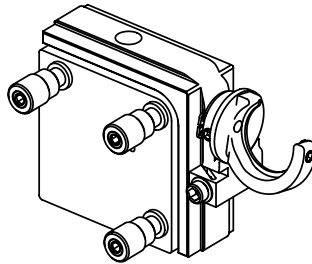
Model	Optic Type	Optic Size
8800-A05	Round	Ø .50"
8800-A10	Round	Ø 1.00"
8800-A20	Round	Ø 2.00"
8800-A05S	Rectangular	0.50"
8800-A56S	Rectangular	0.56"
8800-A10S	Rectangular	1.00"
8800-APT	Prism/Cube	1.00"
8800 Mainframe	Mainframe required for carriers	

B-Series Perpendicular Carriers

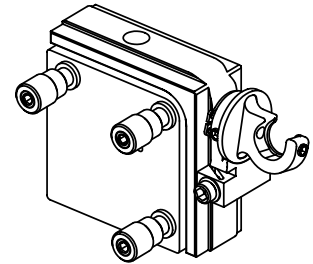
Presetting Axis Perpendicular to Mounting Dovetail (Model 8800 Mainframe sold separately)



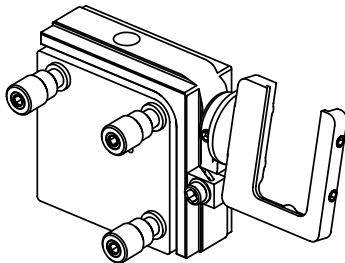
8800
8800-B20



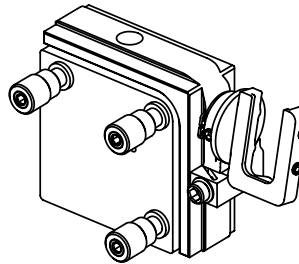
8800
8800-B10



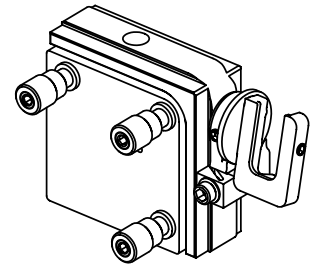
8800
8800-B05



8800
8800-B10S



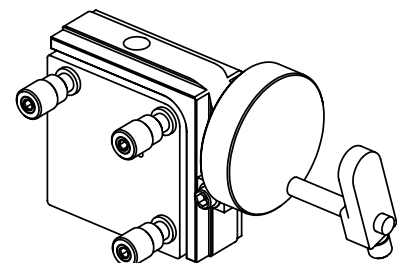
8800
8800-B56S



8800
8800-B05S

B-Series Perpendicular Carriers

Model	Optic Type	Optic Size
8800-B05	Round	Ø .50"
8800-B10	Round	Ø 1.00"
8800-B20	Round	Ø 2.00"
8800-B05S	Rectangular	0.50"
8800-B56S	Rectangular	0.56"
8800-B10S	Rectangular	1.00"
8800-BPT	Prism	1.00"
8800 Mainframe	Mainframe required for carriers	



8800
8800-BPT