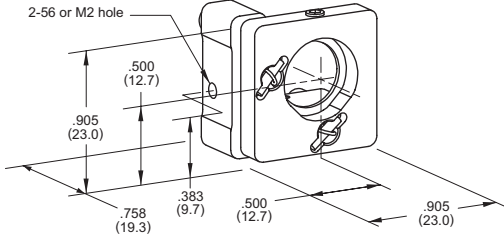


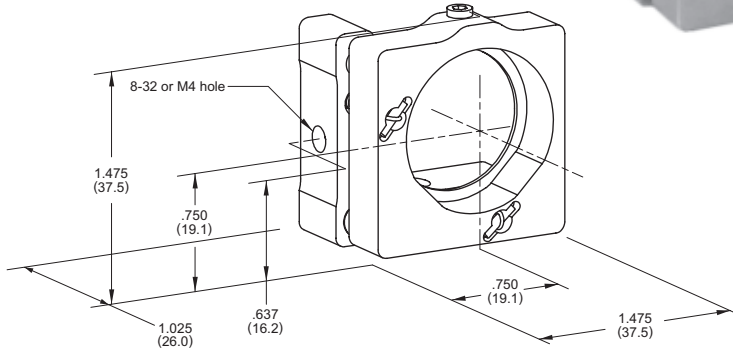
Series 100 Stainless Steel Micro Mirror Mounts

Series 101 Aluminum Micro Mirror Mounts

Model 100-05 Stainless Steel Model 101-05 Aluminum Micro Mirror Mount



Model 100-10 Stainless Steel Model 101-10 Aluminum Micro Mirror Mount



Series 100 and 101 Micro Mounts are the most compact kinematic mirror mounts available. They are designed to hold $\varnothing .5''$ and $\varnothing 1.0''$ optics and have 80-pitch adjustment screws. Optics are secured in place with a nylon tipped set screw.

Our **Series 100 Micro Mounts** offer both stability and compact size in one package. CVI designed these mounts for our most demanding OEM customers. The stainless steel construction provides a greater vibrational and thermo stability versus aluminum.

For variable-height mounting, use our standard **Series 50, 60, 70, and 75 Post, Post Holders and Pedestals**.

Series 100 Stainless Steel Micro Mirror Mounts

Model	Description	Optic Size	Beam Height	0° CA	45° CA
100-05	$\varnothing .50''$ Micro Mount	.50"	.50"	.42"	.20"
100-05-3SC	$\varnothing .50''$ Micro Mount with 3 adjustment screws	.50"	.50"	.42"	.20"
100-10	$\varnothing 1.00''$ Micro Mount	1.00"	.75"	.90"	.43"
100-10-3SC	$\varnothing 1.00''$ Micro Mount with 3 adjustment screws	1.00"	.75"	.90"	.43"
100-P1	Post Adapter for 100-05 Micro Mount				

Add '-LK' for locking adjustment screws

Series 101 Aluminum Micro Mirror Mounts

Model	Description	Optic Size	Beam Height	0° CA	45° CA
101-05	$\varnothing .50''$ Micro Mount	.50"	.50"	.42"	.20"
101-05-3SC	$\varnothing .50''$ Micro Mount with 3 adjustment screws	.50"	.50"	.42"	.20"
101-10	$\varnothing 1.00''$ Micro Mount	1.00"	.75"	.90"	.43"
101-10-3SC	$\varnothing 1.00''$ Micro Mount with 3 adjustment screws	1.00"	.75"	.90"	.43"
100-P1	Post Adapter for 101-05 Micro Mount				

Add '-LK' for locking adjustment screws