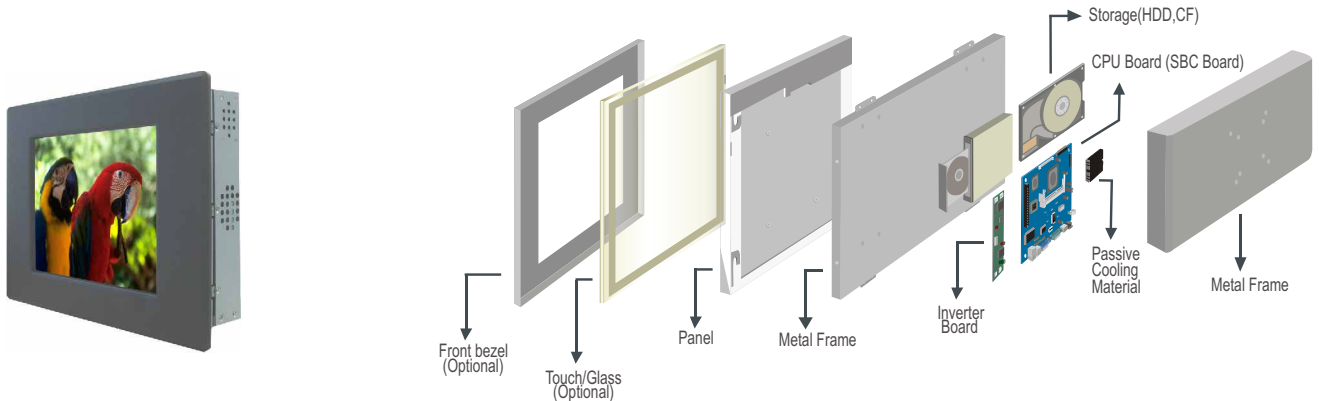


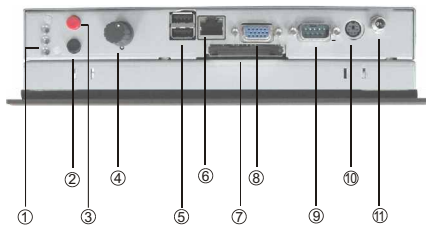
S-Series 8.4" Panel PC (AMD Geode LX-800 500MHz CPU)

MODEL #: R08A83S-PMT1

Mechanical Design

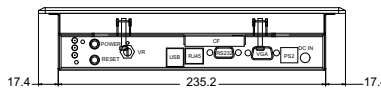
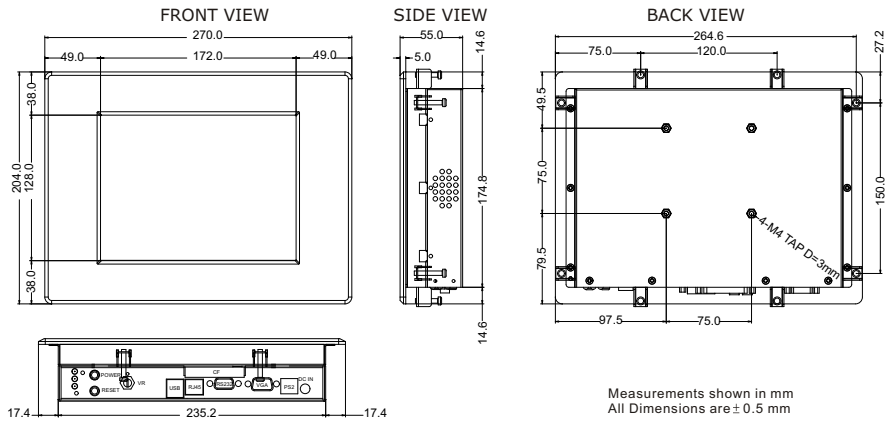


Panel Mount (5mm front bezel)



- 1. Power / HDD LED
- 2. Power On Button
- 3. Power Reset Button
- 4. Brightness Adjustment Knob
- 5. USB
- 6. RJ-45
- 7. CF Socket
- 8. VGA Conn.
- 9. RS-232 Conn.
- 10. PS/2
- 11. DC-IN Lockable Power Jack

Modularized Construction



BOTTOM VIEW

Measurements shown in mm
All Dimensions are ±0.5 mm

System Specifications

TFT Characteristics :

- Resolutions : 800 x 600
- Brightness : 350 cd/m² (typ.)
- Contrast Ratio : 250 : 1 (typ.)
- Viewing Angles : 100(H);90(V)
- Max Colors : 262,144 (6bits/color)

SBC Specifications :

- Processor : AMD Geode LX-800 500MHz CPU
- BIOS : Award 4Mbit Flash
- System Chipset : AMD CS5536 Companion Device
- Memory Slot : 1 x SODIMM, Max 1GB DDR400
- Graphic Chipset : AMD Geode LX800 Integrated (64MB shared)
- IDE : 1 x IDE (UDMA 33)
- CF : 1 x Type I/II CF socket
- KB/Mouse : 1 x PS/2
- Ethernet : 1 x RJ-45 (Realtek RTL8110s 10/100 Mbps)
- VGA : 1 x VGAConn.
- Audio : Built in AC97 codec
- USB : 4 x USB 2.0
- Serial : 3 x RS232, 1 x RS232/422/485
- Parallel : 1 x LPT
- Expansion Slot : 1 x Mini PCI
- Power Input : DC IN (Lockable, Power Jack)
- Certifications : CE, FCC, RoHS

Power Specifications :

- Power Input Temperature : DC IN (Lockable, Power Jack)
- Power Consumption : 12V, 23W (typ.)

Environment Considerations :

- Operating Temperature : 0 deg.C to 45deg.C
- Operating Humidity : 30% to 90% (non condensing)

Output Connectors :

- Ethernet LAN : 1 x RJ45-10/100Mbps
- Keyboard / Mouse : 1 x PS/2
- COM : 1 x RS232 9P DSUB(male)
- USB : 2 x USB Type-A Receptacle
- VGA Out : 1 x VGA 15PDSUB(female)
- CF : 1 x Type I/II Socket

Order Options :

SBC	PANEL PC
CPU : AMD LX-800 500MHz*	Mechanical : Open Frame
RAM : 256 MB DDR*	Panel Mount (5mm bezel)
512 MB DDR(Optional)	IP65 (10mm bezel)
1 GB DDR(Optional)	Chassis
Storage : 2.5"40 GB HDD*	Touch : 5 Wires Resistive(Optional)
1 GB Compact Flash(Optional)	OS : Windows XPE(Optional)
* Default	Windows XP (Optional)
	Linux(Optional)

Accessories :

- Mounting Kit (for Panel Mount 5mm)
- External Power Supply 60W w/power cord
- Y Cable for Keyboard / Mouse