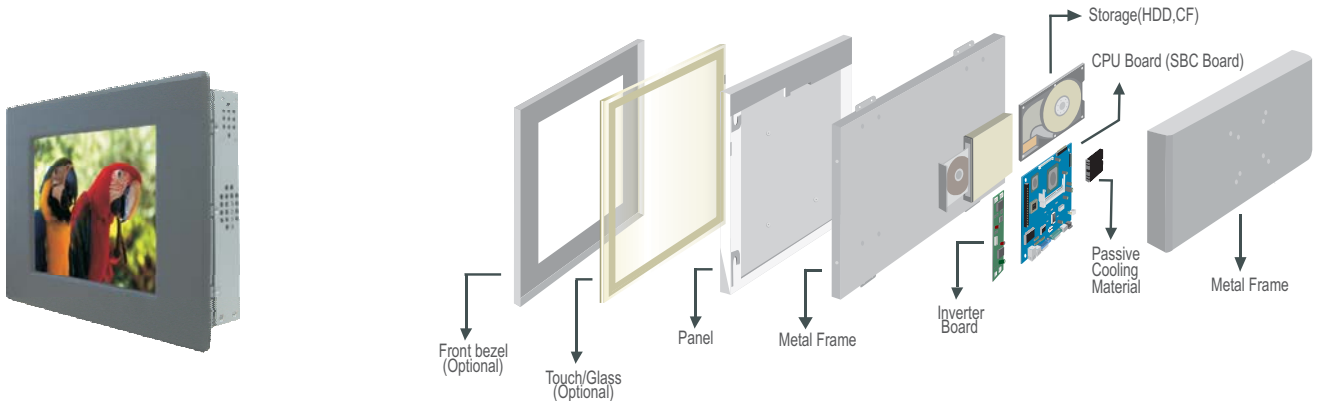


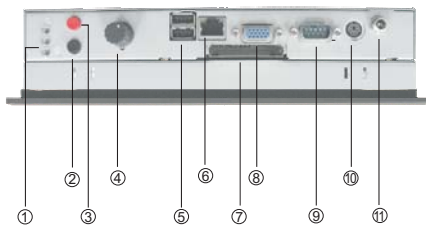
S-Series 8.4" Panel PC (AMD Geode LX-800 500MHz CPU)

MODEL #: R08A83S-PMU1

Mechanical Design

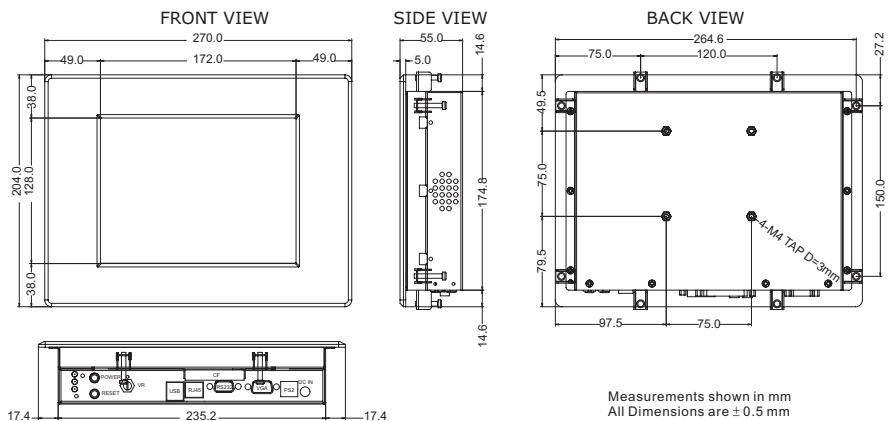


Panel Mount (5mm front bezel)



- | | |
|-------------------------------|-------------------------------|
| 1. Power / HDD LED | 7. CF Socket |
| 2. Power On Button | 8. VGA Conn. |
| 3. Power Reset Button | 9. RS-232 Conn. |
| 4. Brightness Adjustment Knob | 10. PS/2 |
| 5. USB | 11. DC-IN Lockable Power Jack |
| 6. RJ-45 | |

Modularized Construction



Measurements shown in mm
All Dimensions are ± 0.5 mm

BOTTOM VIEW

System Specifications

TFT Characteristics :

- Resolutions : 800 x 600
- Brightness : 220 cd/m² (typ.)
- Contrast Ratio : 500 : 1(typ.)
- Viewing Angles : -65~65(H);-45~65(V)
- Max Colors : 262K

SBC Specifications :

- Processor : AMD Geode LX-800 500MHz CPU
- BIOS : Award 4Mbit Flash
- System Chipset : AMD CS5536 Companion Device
- Memory Slot : 1 x SODIMM, Max 1GB DDR 400
- Graphic Chipset : AMD® Geode LX800 Integrated (64MB shared)
- IDE : 1 x IDE (UDMA 33)
- CF : 1 x Type I/II CF socket
- KB/Mouse : 1 x PS/2
- Ethernet : 1 x RJ-45 (Realtek RTL8110s 10/100 Mbps)
- VGA : 1 x VGA Conn.
- Audio : Built in AC97 codec
- USB : 4 x USB 2.0
- Serial : 3 x RS232, 1 x RS232/422/485
- Parallel : 1 x LPT
- Expansion Slot : 1 x Mini PCI
- Power Input : DC IN (Lockable, Power Jack)
- Certifications : CE, FCC, RoHS

Power Specifications :

- Power Input Temperature : DC IN (Lockable, Power Jack)
- Power Consumption : 12V, 20W (typ.)

Environment Considerations :

- Operating Temperature : 0 deg.C to 45deg.C
- Operating Humidity : 30% to 90% (non condensing)

Output Connectors :

- Ethernet LAN : 1 x RJ45-10/100Mbps
- Keyboard / Mouse : 1 x PS/2
- COM : 1 x RS232 9P DSUB(male)
- USB : 2 x USB Type-A Receptacle
- VGA Out : 1 x VGA 15P DSUB(female)
- CF : 1 x Type I/II Socket

Order Options :

SBC	PANEL PC
CPU : AMD LX-800 500MHz*	Mechanical : Open Frame
RAM : 256 MB DDR*	Panel Mount (5mm bezel)
512 MB DDR(Optional)	IP65 (10mm bezel)
1 GB DDR(Optional)	Chassis
Storage : 2.5"40 GB HDD*	Touch : 5 Wires Resistive(Optional)
1 GB Compact Flash(Optional)	OS : Windows XPE(Optional)
* Default	Windows XP (Optional)
	Linux(Optional)

Accessories :

- Mounting Kit (for Panel Mount 5mm)
- External Power Supply 60W w/power cord
- Y Cable for Keyboard / Mouse