

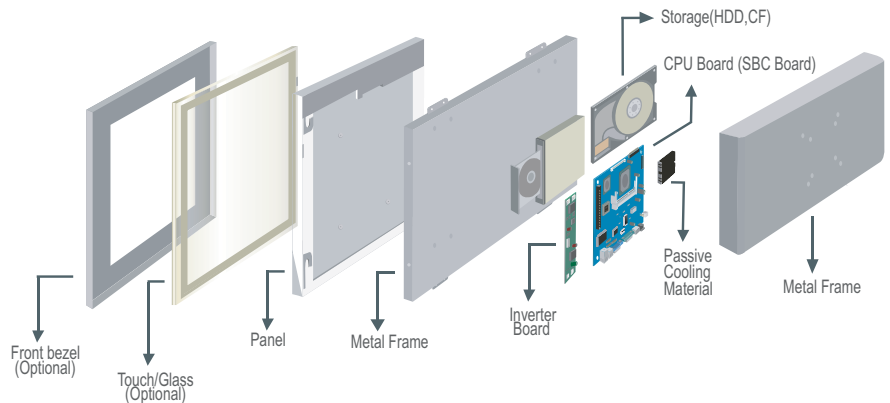
S-Series 10.4" Panel PC (AMD Geode LX-800 500MHz CPU)

MODEL #: R10A83S-OFU1

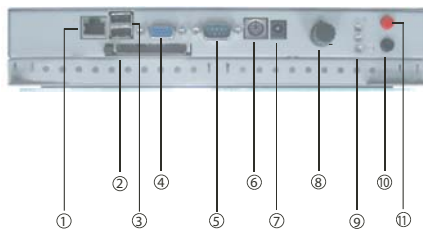
Mechanical Design



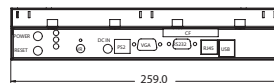
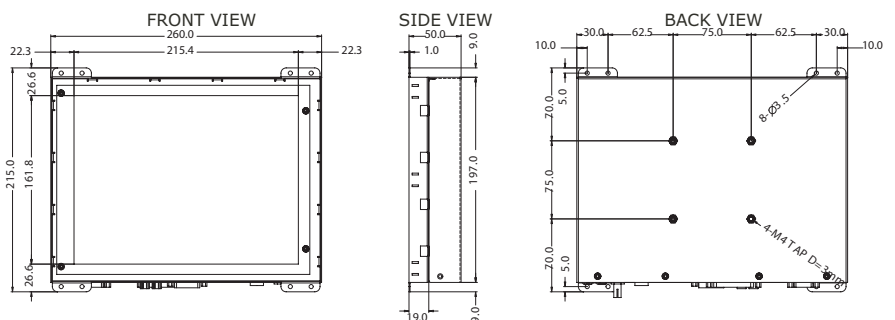
Open Frame



Modularized Construction



- | | |
|-----------------|-------------------------------|
| 1. RJ-45 | 7. DC-IN Lockable Power Jack |
| 2. CF Socket | 8. Brightness Adjustment Knob |
| 3. USB | 9. Power / HDD LED |
| 4. VGA Conn. | 10. Power On Button |
| 5. RS-232 Conn. | 11. Power Reset Button |
| 6. PS/2 | |



BOTTOM VIEW

Measurements shown in mm
All Dimensions are ±0.5 mm

System Specifications

TFT Characteristics :

- Resolutions : 800 x 600
- Brightness : 220 cd/m² (typ.)
- Contrast Ratio : 500 : 1 (typ.)
- Viewing Angles : -60~60(H); -65~35(V)
- Max Colors : 262,144

SBC Specifications :

- Processor : AMD Geode LX-800 500MHz CPU
- BIOS : Award 4Mbit Flash
- System Chipset : AMD CS5536 Companion Device
- Memory Slot : 1 x SODIMM, Max 1GB DDR 400
- Graphic Chipset : AMD® Geode LX800 Integrated (64MB shared)
- IDE : 1 x IDE (UDMA 33)
- CF : 1 x Type I/II CF socket
- KB/Mouse : 1 x PS/2
- Ethernet : 1 x RJ-45 (Realtek RTL8110s 10/100 Mbps)
- VGA : 1 x VGA Conn.
- Audio : Built in AC97 codec
- USB : 4 x USB 2.0
- Serial : 3 x RS232, 1 x RS232/422/485
- Parallel : 1 x LPT
- Expansion Slot : 1 x MiniPCI
- Power Input : DC IN (Lockable, Power Jack)
- Certifications : CE, FCC, RoHS

Power Specifications :

- Power Input Temperature: DC IN (Lockable, Power Jack)
- Power Consumption : 12V, 21W (typ.)

Environment Considerations :

- Operating Temperature : 0 deg.C to 45 deg.C
- Operating Humidity : 30% to 90% (non condensing)

Output Connectors :

- Ethernet LAN : 1 x RJ45-10/100Mbps
- Keyboard / Mouse : 1 x PS/2
- COM : 1 x RS232 9P DSUB (male)
- USB : 2 x USB Type-A Receptacle
- VGA Out : 1 x VGA 15P DSUB (female)
- CF : 1 x Type I/II Socket

Order Options :

SBC	PANEL PC
CPU : AMD LX-800 500MHz*	Mechanical : Open Frame
RAM : 256 MB DDR*	Panel Mount (5mm bezel)
512 MB DDR (Optional)	IP65 (10mm bezel)
1 GB DDR (Optional)	Chassis
Storage : 2.5" 40 GB HDD*	Touch : 5 Wires Resistive (Optional)
1 GB Compact Flash (Optional)	OS : Windows XPE (Optional)
* Default	Windows XP (Optional)
	Linux (Optional)

Accessories :

- External Power Supply 60W w/power cord
- Y Cable for Keyboard / Mouse