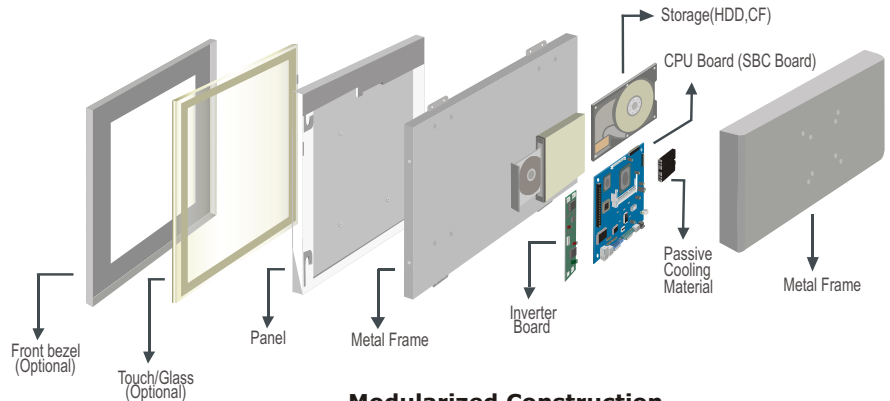


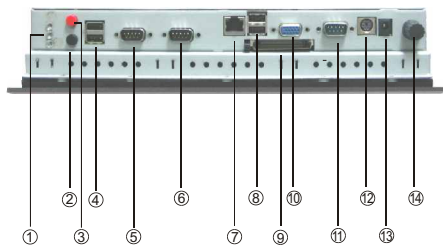
# S-Series 12.1" Panel PC (AMD Geode LX-800 500MHz CPU)

**MODEL #: R12A83S-PML1**

## Mechanical Design

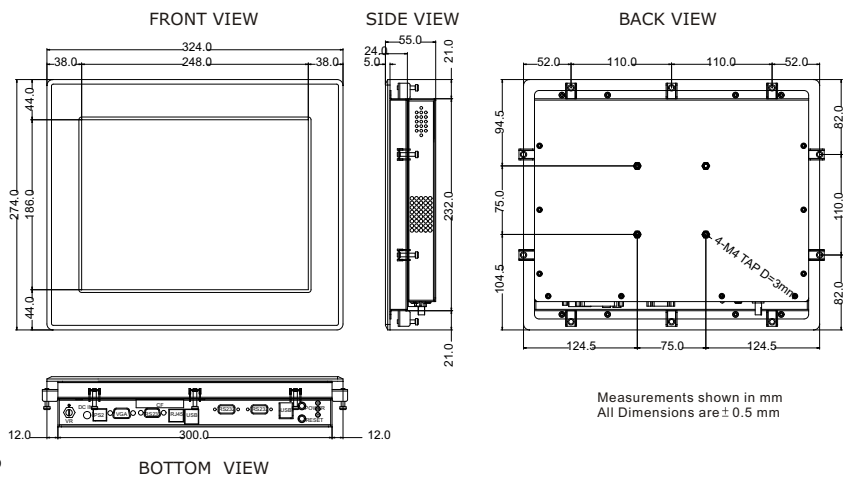


### Panel Mount (5mm front bezel)



- |                           |                                |
|---------------------------|--------------------------------|
| 1. Power / HDD LED        | 8. USB                         |
| 2. Power On Button        | 9. CF Socket                   |
| 3. Power Reset Button     | 10. VGA Conn.                  |
| 4. USB(Optional)          | 11. RS-232 Conn.               |
| 5. RS-232 Conn.(Optional) | 12. PS/2                       |
| 6. RS-232 Conn.(Optional) | 13. DC-IN Lockable Power Jack  |
| 7. RJ-45                  | 14. Brightness Adjustment Kndo |

### Modularized Construction



## System Specifications

### TFT Characteristics :

- Resolutions : 800 x 600
- Brightness : 300 cd/m<sup>2</sup> (typ.)
- Contrast Ratio : 200 : 1(typ.)
- Viewing Angles : -60~60(H);-55~40(V)
- Max Colors : 262,144 (6bits/color)

### SBC Specifications :

- Processor : AMD Geode LX-800 500MHz CPU
- BIOS : Award 4Mbit Flash
- System Chipset : AMD CS5536 Companion Device
- Memory Slot : 1 x SODIMM, Max 1GB DDR400
- Graphic Chipset : AMD® Geode LX800 Integrated (64MB shared)
- IDE : 1 x IDE (UDMA 33)
- CF : 1 x Type I/II CF socket
- KB/Mouse : 1 x PS/2
- Ethernet : 1 x RJ-45(Realtek RTL8110s 10/100 Mbps)
- VGA : 1 x VGAConn.
- Audio : Built in AC97 codec
- USB : 4 x USB 2.0
- Serial : 3 x RS232, 1 x RS232/422/485
- Parallel : 1 x LPT
- Expansion Slot : 1 x Mini PCI
- Power Input : DC IN (Lockable, Power Jack)
- Certifications : CE, FCC, RoHS

### Power Specifications :

- Power Input Temperature : DC IN (Lockable, Power Jack)
- Power Consumption : 12V, 23W (typ.)

### Environment Considerations :

- Operating Temperature : 0 deg.C to 45deg.C
- Operating Humidity : 30% to 90% (non condensing)

### Output Connectors :

- Ethernet LAN : 1 x RJ45-10/100Mbps
- Keyboard / Mouse : 1 x PS/2
- COM : 1 x RS232 9P DSUB(male)
- USB : 2 x USB Type-A Receptacle
- VGA Out : 1 x VGA 15PDSUB(female)
- CF : 1 x Type I/II Socket

### Order Options :

SBC	PANEL PC
<b>CPU</b> : AMD LX-800 500MHz*	<b>Mechanical</b> : Open Frame
<b>RAM</b> : 256 MB DDR*	Panel Mount (5mm bezel)
512 MB DDR(Optional)	IP65 (10mm bezel)
1 GB DDR(Optional)	Chassis
<b>Storage</b> : 2.5"40 GB HDD*	<b>Touch</b> : 5 Wires Resistive(Optional)
1 GB Compact Flash(Optional)	<b>OS</b> : Windows XPE(Optional)
* <b>Default</b>	Windows XP (Optional)
	Linux(Optional)

### Accessories :

- Mounting Kit (for Panel Mount 5mm)
- External Power Supply 60W w/power cord
- Y Cable for Keyboard / Mouse