

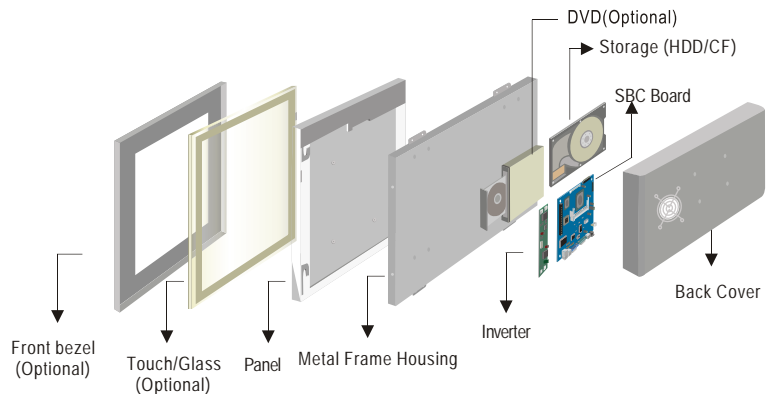
T-Series 12.1" Panel PC (Intel® Pentium® M / Celeron® M Platform)

MODEL #: R12B89T-PML1

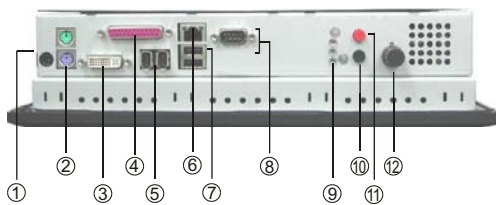
Mechanical Design



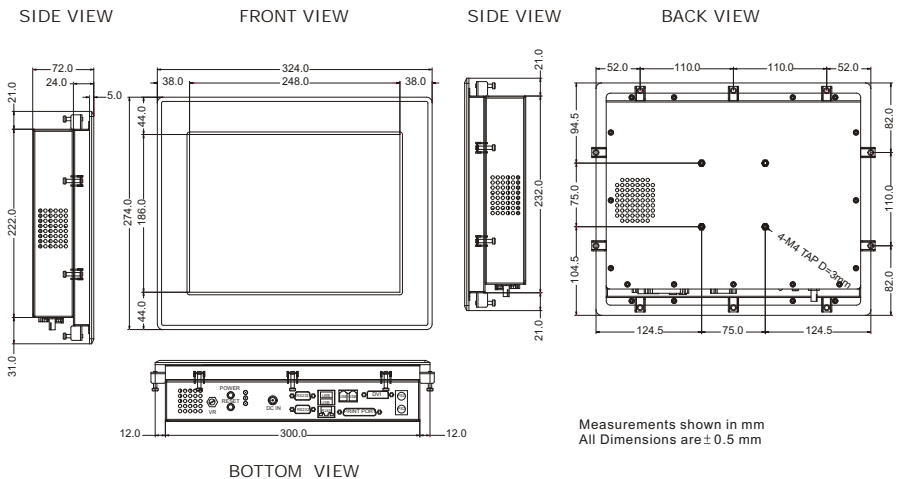
Panel Mount (5mm front bezel)



Modularized Construction



- | | |
|---------------------------|--------------------------------|
| 1. DC Lockable Power Jack | 7. USB |
| 2. PS/2 | 8. RS-232 Conn. |
| 3. DVI-I Conn. | 9. Power / HDD LED |
| 4. Parallel Port(LPT) | 10. Power On Button |
| 5. 1394 FireWire | 11. Power Reset Button |
| 6. RJ-45 | 12. Brightness Adjustment Knob |



System Specifications

TFT Characteristics :

- Resolutions : 800 x 600
- Brightness : 400 cd/m² (typ.)
- Contrast Ratio : 500 : 1 (typ.)
- Viewing Angles : -70~70(H); -50~60(V)
- Max Colors : 262,144

SBC Specifications :

- Processor : Socket 479 for Intel Pentium M / Celeron M up to 2 GHz
- BIOS : Award 4Mbit Flash
- System Chipset : Intel 855GME + ICH4
- Memory Slot : 1 x DIMM, Max 1GB DDR 200/266/333
- Graphic Chipset : Intel 855GME Integrated (64MB shared)
- IDE : 2 x IDE (UDMA 33/66/100)
- CF : 1 x Type I/II CF socket
- KB/Mouse : 2 x PS/2
- Ethernet : 1 x RJ-45
- Audio : Built in AC97 codec
- USB : 6 x USB2.0
- Serial : 2 x RS232
- Parallel : 1 x LPT
- IrDA : 1 x IrDA
- 1394 FireWire : 2 x 1394
- Expansion Slot : 1 x Mini PCI, 1 x PCI*

* A customized housing is needed if you would like to have the PCI expansion.

Power Specifications :

- Power Input : 12V DC IN (Lockable Power Jack)
- Power Consumption : 65W (typ.) (Max. backlight & high CPU load)

Environment Considerations :

- Operating Temperature : 0 deg.C to 50deg.C
- Operating Humidity : 30% to 90% (non condensing)

Input/ Output Connectors :

- Ethernet LAN : 1 x RJ45-10/100Mbps
- Keyboard / Mouse : 2 x PS/2
- COM : 1 x RS232 9P DSUB (male)
- Parallel : 1 x 25P DSUB (female)
- USB : 2 x USB Type-A Receptacle
- 1394 FireWire : 2 x 1394 6P Receptacle
- DVI Out : 1 x DVI-I (female)

Order Options :

SBC	PANEL PC
CPU : Celeron M 1.5GHz* Pentium M 1.73GHz(Optional)	Mechanical : Open Frame Panel Mount (5mm bezel) IP65 (10mm bezel) Chassis
RAM : 256 MB DDR* 512 MB DDR(Optional) 1 GB DDR(Optional)	Touch : 5 Wires Resistive(Optional)
Storage : 2.5"40 GB HDD* * Default 1 GB Compact Flash(Optional)	OS : Windows XPE(Optional) Windows XP (Optional) Linux(Optional)

Accessories :

- Mounting Kit (for Panel Mount 5mm)
- External Power Supply 80W w/power cord