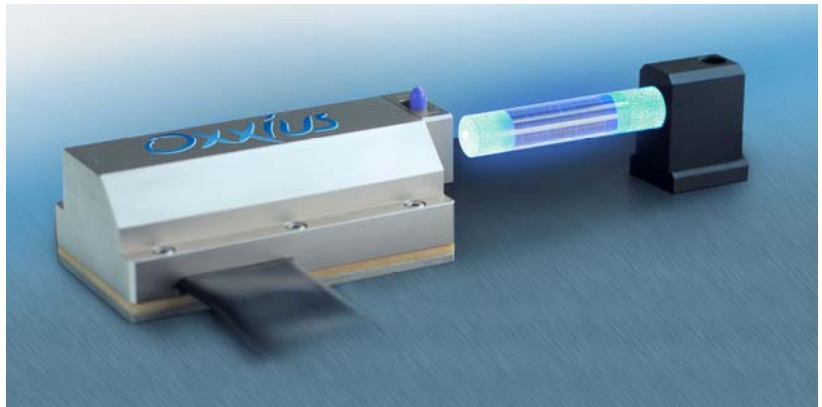


Compact DPSS Laser

473 nm, 20 to 50 mW

- Low noise CW operation (single-frequency option)
- Ultra-compact, rugged and low power consumption
- Outstanding power, frequency and beam stability
- Maintenance-free with proven reliability

Oxxius' SLIM line of diode-pumped solid-state lasers uses patented "Alignment-free Monolithic Resonator" (AMR) technology to assure unmatched compactness and stability. Its outstanding noise, stability, and beam characteristics distinguish the SLIM family for a variety of applications in bio-instrumentation and sensing. Also, the small footprint and low power dissipation enable innovative portable analytical tools.



The "Plug & Play" version is compliant with CE & CDRH safety standards. It includes heatsink and power supply, and offers convenient front panel control. An "OEM" version for system integrators comes with a smaller driver requiring 5 V power supply.

| Optical Parameters | Min. | Nominal | Max. | Unit | Comments |
|-------------------------|---------|---------|------|----------------|-----------------------------------|
| Wavelength | 472 | 473 | 474 | nm | single longitudinal mode optional |
| CW Power | | 20, 50 | | mW | |
| Power Stability | | | ± 1 | % | over 8 hours and ± 3 K |
| Optical Noise | | | 0.2 | % | rms, 10 Hz - 2 MHz, 25 to 45 °C |
| | | | 0.5 | % | rms, 10 Hz - 2 MHz, 15 to 25 °C |
| Transverse Beam Quality | | | 1.2 | M ² | single transverse mode TEM00 |
| Beam Diameter | 0.45 | 0.75 | 1.05 | mm | at aperture |
| Circularity | 0.85 | 0.92 | | - | defined as min/max |
| Beam Divergence | 0.7 | 1 | 1.3 | mrad | 1/e ² full angle |
| Pointing Stability | | 5 | 10 | µrad | rms, over 1 hour and ± 1.5 K |
| Polarization Ratio | 100 : 1 | | | - | linear, vertical (tol. <5°) |

SLIM-473

Oxxius S.A.
4, rue Louis de Broglie
F-22300 Lannion
France
Call: +33 2 9648 5371
Mail: sales@oxxius.com

Oxxius, Inc.
1800 Wyatt Drive, Suite 8
Santa Clara, CA 95054
U.S.A
Call: +1 (408) 426-8021
Mail: sales.us@oxxius.com

Oxxius

www.oxxius.com

SLIM-473

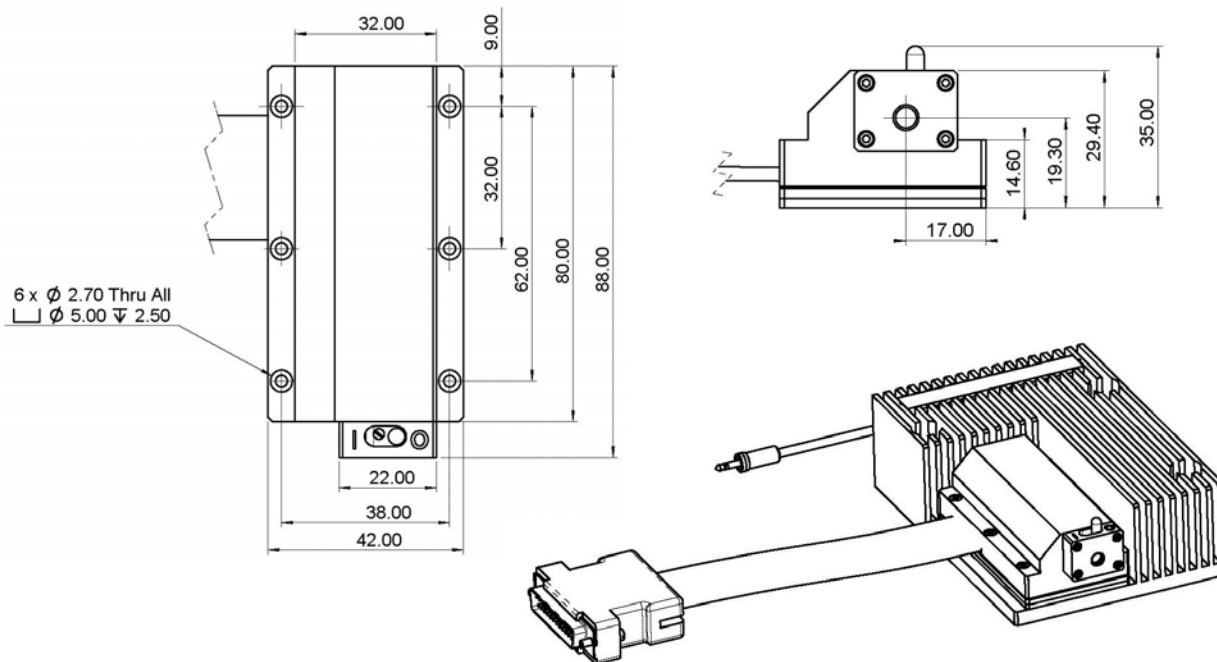
| System Parameters | Min. | Nominal | Max. | Unit | Conditions |
|----------------------------------|------|---------------|------|------|-----------------|
| Laser Head | | | | | |
| Base Temperature | 15 | 30 | 45 | °C | operational |
| Start-up Time | | 5 | 10 | min | |
| Heat Dissipation ¹ | | | 20 | W | |
| Weight | | 350 | | g | |
| Dimensions | | 80 x 44 x 29 | | mm | L x W x H |
| OEM Controller | | | | | |
| Power Supply Requirements | | | | | |
| Input Voltage | 5 | | 5.6 | V | ripple < 1% |
| Input Current | | | 10 | A | during start-up |
| Heat Dissipation ¹ | | | 13 | W | |
| Weight | | 420 | | g | |
| Dimensions | | 135 x 97 x 30 | | mm | L x W x H |

Maximum Environmental Ratings

| | | | | | |
|-------------------------|----|--|-----|----|--------------------------|
| Storage Temperature | 0 | | 60 | °C | non operational |
| Relative Humidity | 10 | | 90 | % | non condensing |
| Resistance to Shock | | | 25 | G | 11 ms duration |
| Resistance to Vibration | | | 2.5 | G | sinusoidal, 10 to 500 Hz |

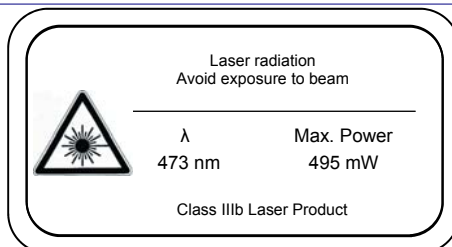
¹ Under stationary operation, at maximum base temperature of 45 °C

Mechanical Drawing of Laser Head All dimensions in mm



SLIM lasers are registered with FDA. Accession numbers: 0710085-001 (Plug & Play version), 07R0452-001 (OEM version).

Oxxius has a policy of continuous product improvement. Specifications may change without notice.



Oxxius

www.oxxius.com