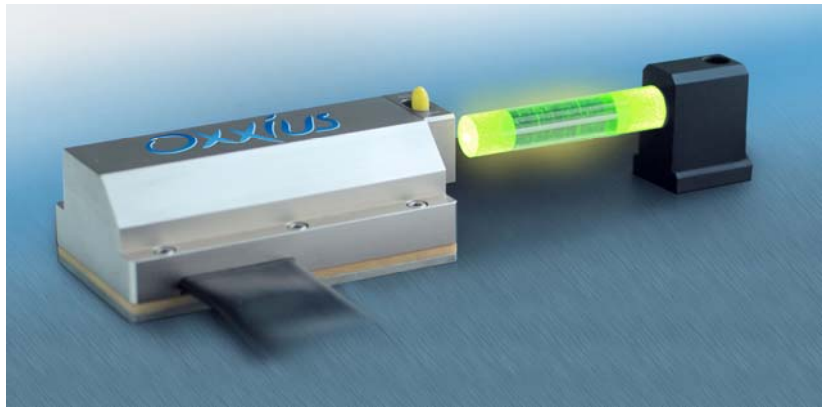


# Compact DPSS Laser 561 nm, 25 to 150 mW

- Low noise CW operation (single-frequency option)
- Ultra-compact, rugged and low power consumption
- Outstanding power, frequency and beam stability
- Maintenance-free with proven reliability

Oxxius' SLIM line of diode-pumped solid-state lasers uses patented "Alignment-free Monolithic Resonator" (AMR) technology to assure unmatched compactness and stability. Its outstanding noise, stability, and beam characteristics distinguish the SLIM family for a variety of applications in bio-instrumentation and sensing. Also, the small footprint and low power dissipation enable innovative portable analytical tools.



The "Plug & Play" version is compliant with CE & CDRH safety standards. It includes heatsink and power supply, and offers convenient front panel control. An "OEM" version for system integrators comes with a smaller driver requiring 5 V power supply.

Optical Parameters	Min.	Nominal	Max.	Unit	Comments
Wavelength	560	561	562	nm	single longitudinal mode optional
CW Power		25, 50, 100, 150		mW	
Power Stability			± 1	%	over 8 hours and ± 3 K
Optical Noise			0.2	%	rms, 10 Hz - 2 MHz, 25 to 45 °C
			0.5	%	rms, 10 Hz - 2 MHz, 15 to 25 °C
Transverse Beam Quality			1.2	M <sup>2</sup>	single transverse mode TEM <sub>00</sub>
Beam Diameter	0.45	0.75	1.05	mm	at aperture
Circularity	0.85	0.92		-	defined as min/max
Beam Divergence	0.7	1	1.3	mrad	1/e <sup>2</sup> full angle
Pointing Stability		5	10	µrad	rms, over 1 hour and ± 1.5 K
Polarization Ratio	100 : 1			-	linear, vertical (tol. <5°)

SLIM-561

Oxxius S.A.  
4, rue Louis de Broglie  
F-22300 Lannion  
France  
Call: +33 2 9648 5371  
Mail: sales@oxxius.com

Oxxius, Inc.  
1800 Wyatt Drive, Suite 8  
Santa Clara, CA 95054  
U.S.A  
Call: +1 (408) 426-8021  
Mail: sales.us@oxxius.com

Oxxius

www.oxxius.com

# SLIM-561

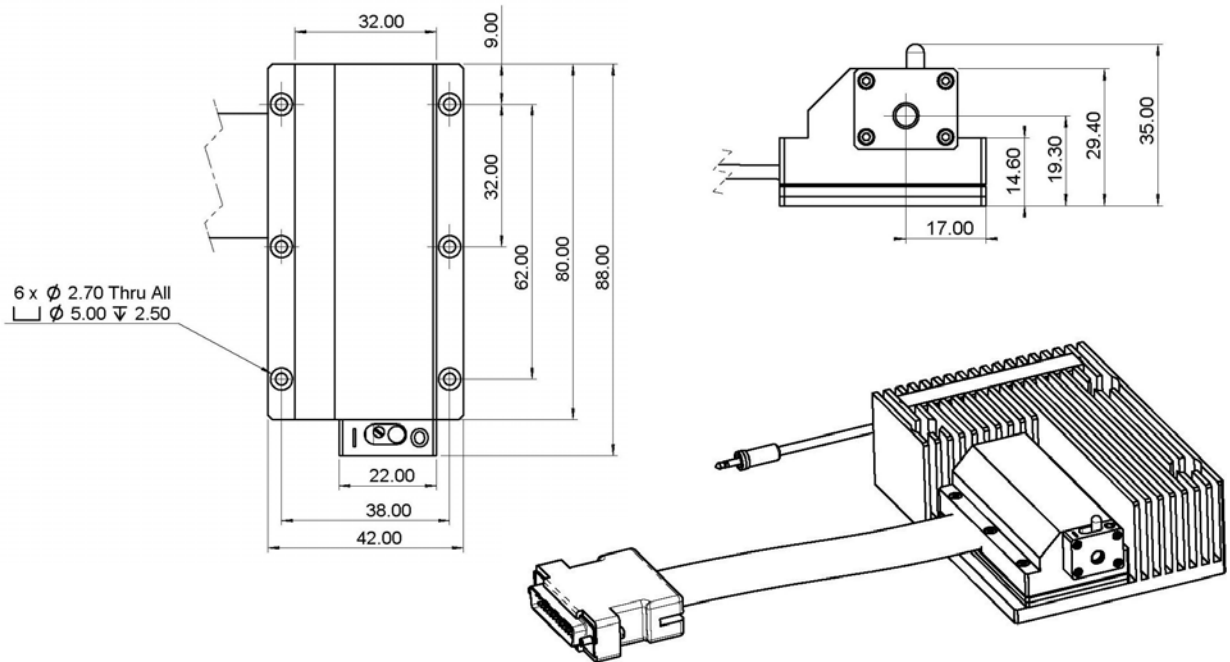
System Parameters	Min.	Nominal	Max.	Unit	Conditions
<b>Laser Head</b>					
Base Temperature	15	30	45	°C	operational
Start-up Time		5	10	min	
Heat Dissipation <sup>1</sup>			20	W	
Weight		350		g	
Dimensions		80 x 44 x 29		mm	L x W x H
<b>OEM Controller</b>					
<b>Power Supply Requirements</b>					
Input Voltage	5		5.6	V	ripple < 1%
Input Current			10	A	during start-up
Heat Dissipation <sup>1</sup>			13	W	
Weight		420		g	
Dimensions		135 x 97 x 30		mm	L x W x H

### Maximum Environmental Ratings

Storage Temperature	0		60	°C	non operational
Relative Humidity	10		90	%	non condensing
Resistance to Shock			25	G	11 ms duration
Resistance to Vibration			2.5	G	sinusoidal, 10 to 500 Hz

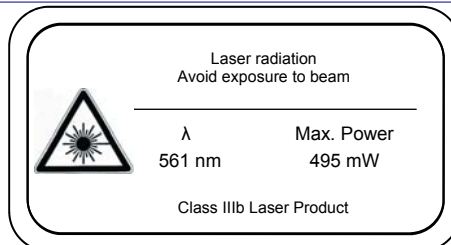
<sup>1</sup> Under stationary operation, at maximum base temperature of 45 °C

**Mechanical Drawing of Laser Head** All dimensions in mm



SLIM lasers are registered with FDA. Accession numbers: 0710085-001 (Plug & Play version), 07R0452-001 (OEM version).

Oxxius has a policy of continuous product improvement. Specifications may change without notice.



Oxxius

www.oxxius.com