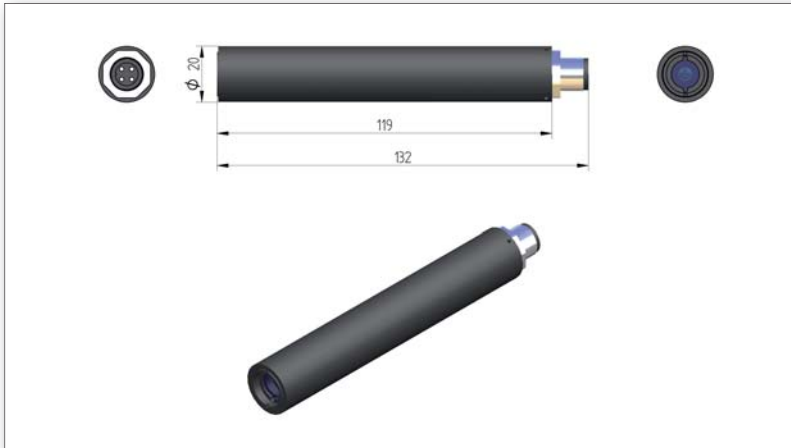


Z-24

Laser with \varnothing 20mm

Z-LASER

- Ideal for machine integration
- Operation with 9 to 36VDC or 12 to 24VAC, TTL-modulation up to 20kHz



Specifications

Output Power/Wavelength	1 to 40mW, 635nm +/- 10nm, other wavelength upon inquiry
Housing/IP code	Aluminium, black anodised/ IP 64
Case temperature	-10 to +40°C (dependent on the laser diode used, range may be wider)
Supply voltage	9-36VDC, 12 to 24VAC
Electrical connection	M12 connector

Electronics

Laser driver	APC with current limiter, overtemperature protection
Supply	reverse polarity protection
Modulation	20kHz TTL (standard)
Intensity control	none
Available optics	all optics
Free focus option	none

Accessories*

Power Supply	NG CW 12/24
Mountings	H0-20, H2-20, H3-20, H4-20, H6-20, H8-20, Mxyz
Auxiliary mountings	BK, BM, BT
Manual or motor driven displacement systems	LS/LW, ZES
Accessories for optics	LB20, LZB

* for details please refer to detailed data sheets

DB_e_LL_Z-24_1.0_161107_MS