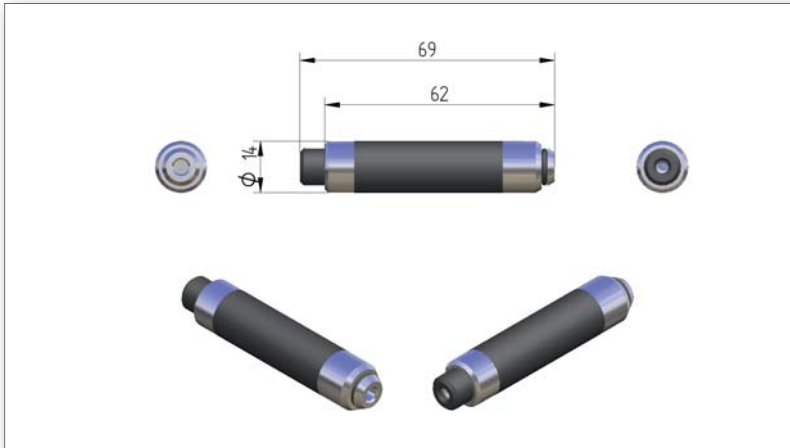


ZT

Laser with \varnothing 14mm

Z-LASER

- Exchangeable optic heads: Line, line/dot, cross
- Adjustable light intensity



Specifications

Output Power/Wavelength	3mW, 635nm +/- 10nm, 5mW, 645nm +/- 10nm, other wavelength upon inquiry
Housing/IP code	brass, black chromed, front & endcap: brass, chromed / IP 40
Case temperature	-10 to +40°C (dependent on the laser diode used, range may be wider)
Supply voltage	3.5 to 5.5VDC
Electrical connection	2m cable with Texas connector, option: cable with end splice

Electronics

Laser driver	APC with current limiter and external intensity control
Supply	reverse polarity protection
Modulation	none
Intensity control	by potentiometer screw
Available optics	exchangeable optic head: line (lg90), line/dot (lg90p), cross (x30)
Free focus option	none

Accessories*

Power Supply	SNG (for Texas connector), NG CW-HD-3.5 (for cable with end splice)
Mountings	H0-14, H2-14, H3-14
Auxiliary mountings	BK, BM, BT
Manual or motor driven displacement systems	LS/LW
Accessories for optics	LZB

* for details please refer to detailed data sheets

DB_e_LL_ZT_1.0_161107_MS

Z-LASER Optoelektronik GmbH • Merzhauser Str. 134 • 79100 Freiburg • Germany
Tel.: +49/761/296 44 44 • Fax: +49/761/296 44 55 • info@z-laser.de • www.z-laser.com

08/2007