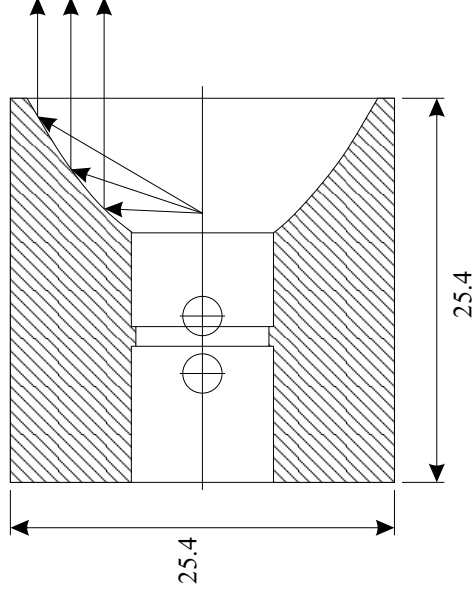


MC-233 Elliptical Reflector



MC-234 Parabolic Reflector
Focal Length: 3.0mm

Both parts are suitable for use
with the following IR Sources:

- IR-12
- IR-12K
- IR-21
- IR-21V

The IR-12, IR-12K and IR-21 are mounted into the reflectors from the base side.
The IR-21V is mounted into the reflectors from the reflector side.

Material: Aluminium
Finish: Machined and Polished
All dimensions in mm

ISSUE A : 15/3/02 - CB BATHE
ISSUE B : 28/4/04 - CB BATHE

THIS DRAWING IS THE CONFIDENTIAL AND
COPYRIGHT PROPERTY OF SCITEC INSTRUMENTS
LTD. AND MUST NOT BE DISCLOSED, LOANED OR
COPIED FOR MANUFACTURING, TENDERING OR
FOR ANY OTHER PURPOSE WITHOUT THEIR
WRITTEN PERMISSION

DRAWN BY: C B Bathe

DRAWING No.: MC-23X-01

TITLE: IR Source Reflectors

SHEET 1 OF 1

SCITEC INSTRUMENTS LTD